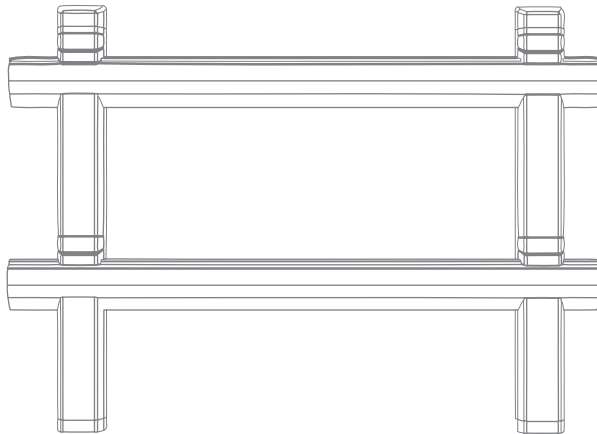


Vertical Garden Set

Installation Manual



Dear customer

Welcome to Garden@Home and thank you for purchasing our vertical garden set. Garden@Home is an easy DIY system, planned and designed for simple and fun set up.

- Developed for easy installation with minimum tools required, all you need is in the box except for a drill, a small hammer and a screwdriver
- Connecting the poles and rails, and setting up the system is fast and easy.
- Smart practical solutions and low maintenance make it easy to assemble and simple to keep
- Simply follow our clear instructions

Please visit our website for installation support and more ideas.

www.gardenathome.co



DEMO &
INSTRUCTIONS



Installation Instructions

General: Building the infrastructure

- All sets are compatible with each other (i.e basic-basic-extension-extension)
- When building your Garden@Home system with combined sets, connect the sets before hanging the system on the wall.
- Choose where you want to hang the system, considering doors, windows and other obstacles
- Hanging on guardrails - connect the sets side by side (do not connect them one on top of the other).

Guardrail hangers are not included

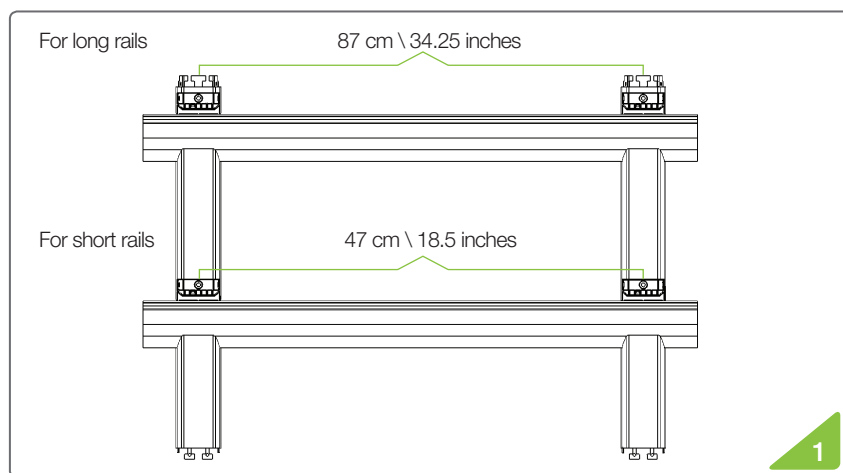
Maximum weight per Rail is 25 kg\55 pounds

PLEASE READ THE INSTRUCTIONS CAREFULLY BEFORE YOU START BUILDING YOUR Garden@Home.

Design options

There are several options to hang the system on the wall according to your layout plan:

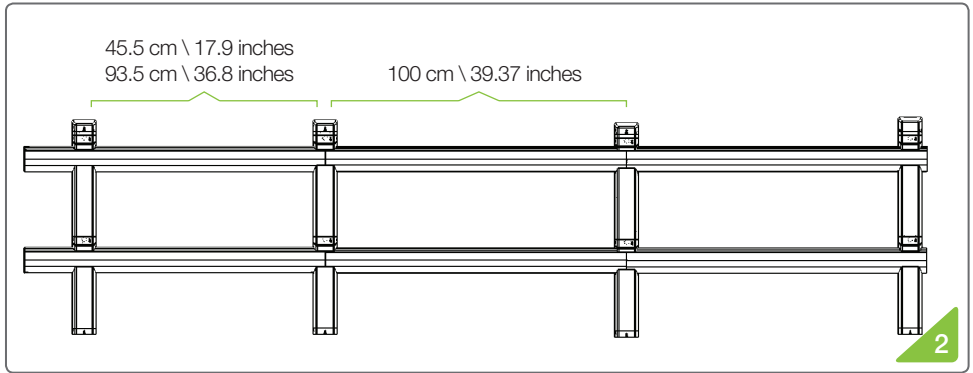
1. **Plain and simple** – one set with one Rail width (figure 1):



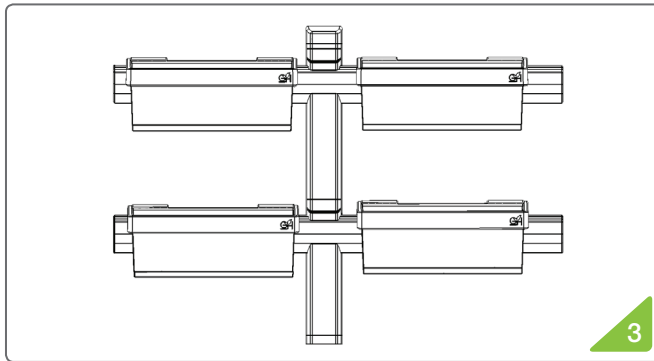
Tip

Before drilling, build the system. Connect the rails and poles to each other and measure the intervals between the poles and the rails. Make sure you have the right measurements between each pole and rail (figures 1 and 2).

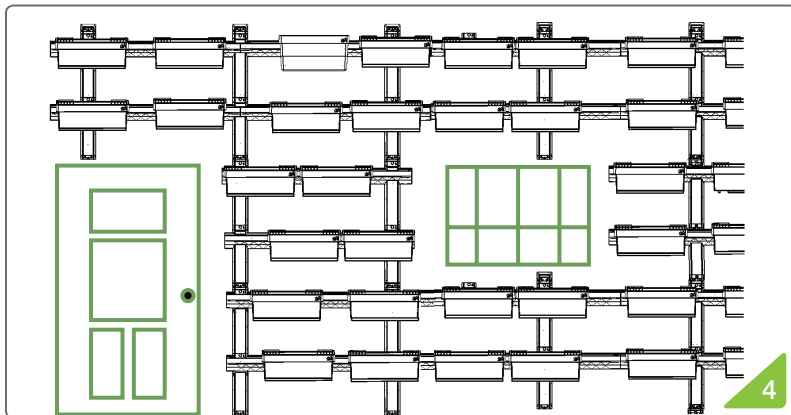
2. **Side-by-side** - putting together a system comprising more than one set (see figure 4, using the measurements in figure 2).



3. **Balance** - another layout option.



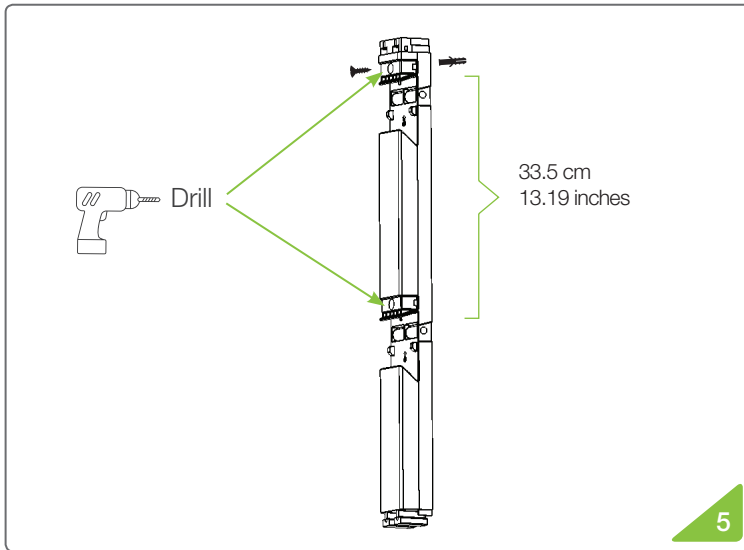
4. **Walk around** - when you need to get around a door or a window.



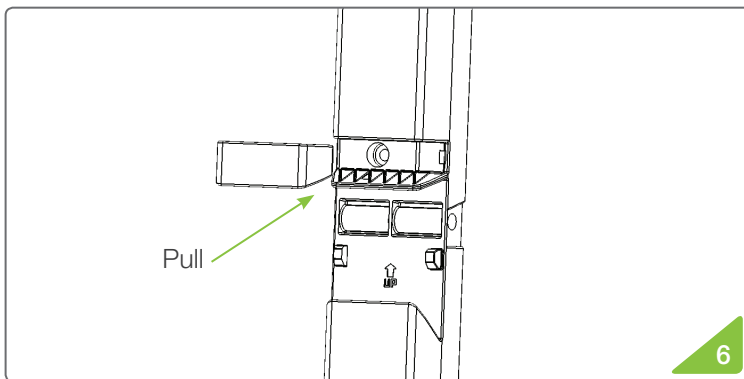
Building the system

1. Connecting the poles to the wall

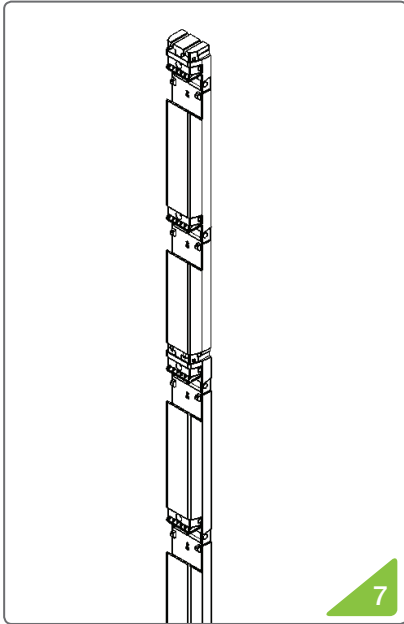
- a. Mark the wall where you want to put the poles.



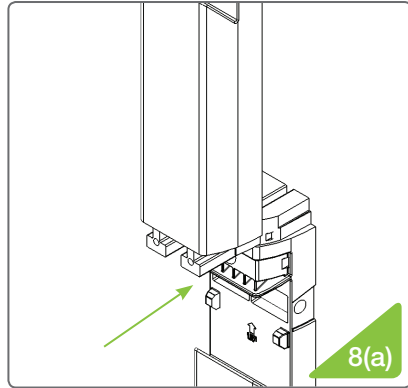
- b. For each pole drill 2 holes, 6 mm each.
- c. Fix the anchor plugs to the wall.
- d. Screw the poles to the wall.
- e. Fit the cap to cover screw holes.



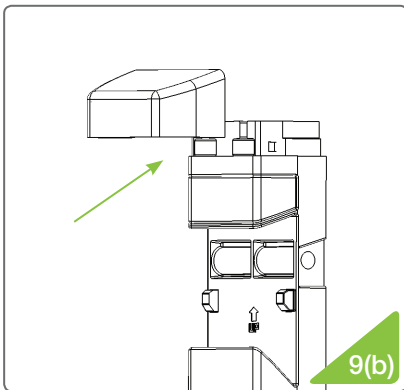
2. Connecting Pole to Pole



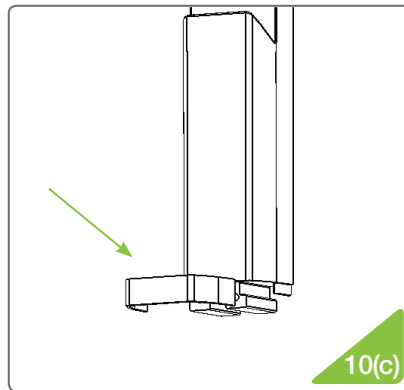
a. Slide the bottom part of one pole onto the top part of the other pole.



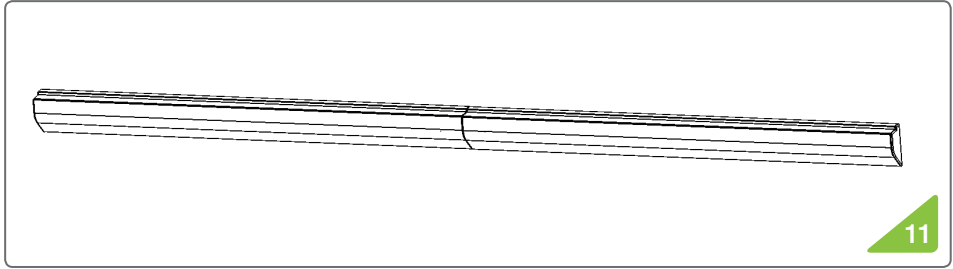
b. Close the top part of the pole with the cap.



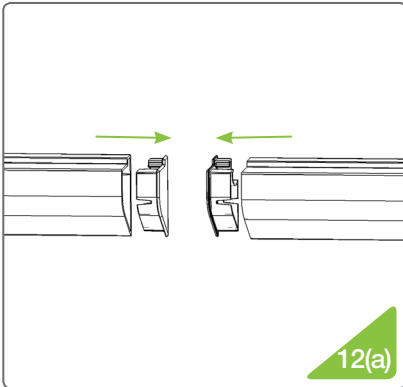
c. Close the bottom part of the pole with the cap.



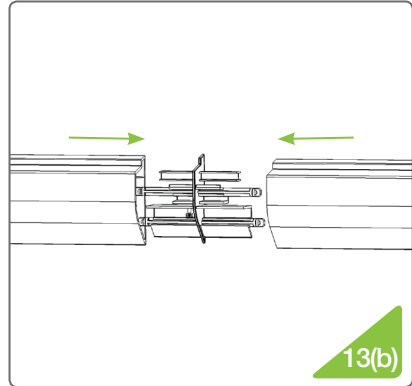
3. Connecting rail to rail



a. Remove rails' **side caps** (for each rail).

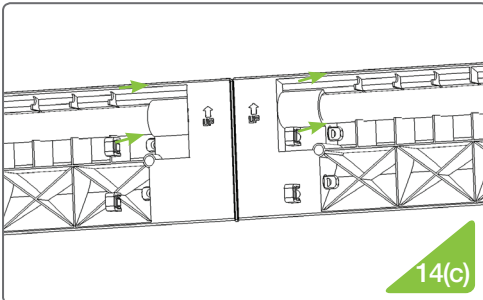


b. Connect the two rails with the **rail connector** between them, push the rails toward each other until fixed.

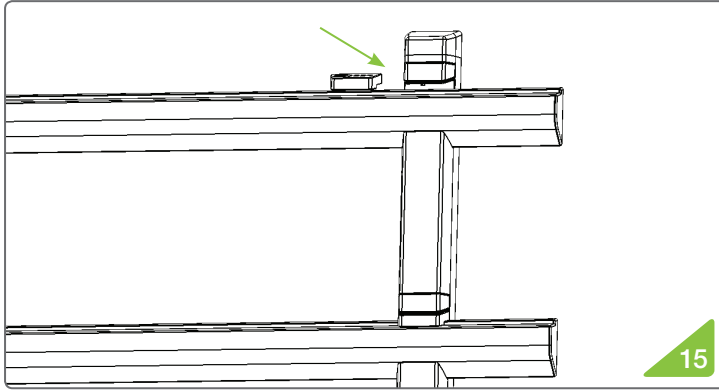


c. Locking **rail connectors**.

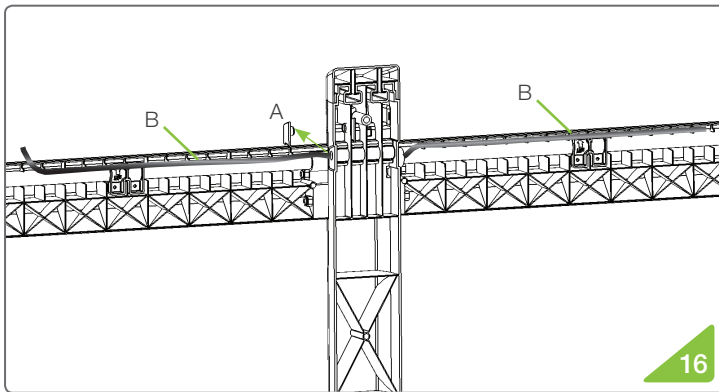
Make sure to fasten the 4 **rail connector locks** (figure 14(c) below).



4. Connecting rails to poles

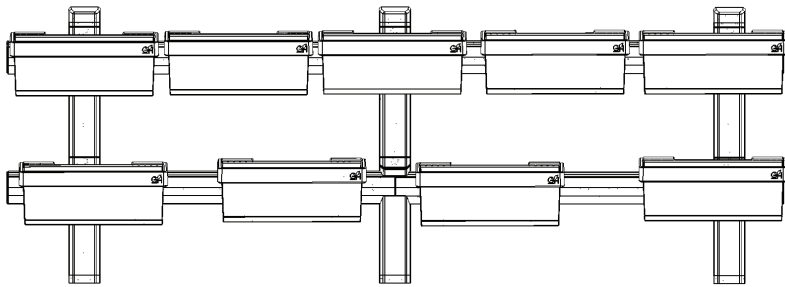
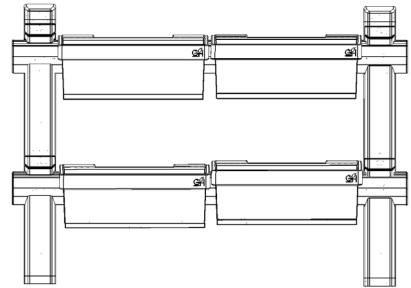
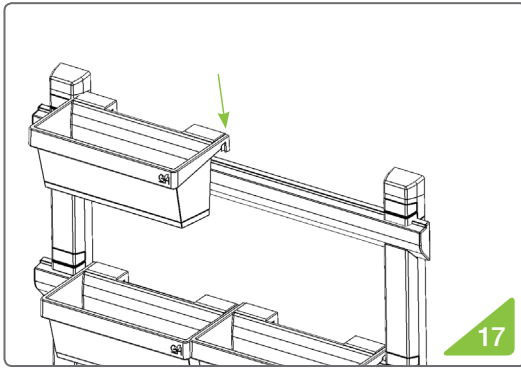


5. Connecting the Drip Irrigation System



- a. Open the pipe hole cover (A).
- b. Fix the drip pipe (5 mm or 3\16 inch) onto the back of the rail (B), inserting the pipe through the pipe hole to the other end of the pole.

6. Hanging accessories (planters and shelves)



This package contain -

- A** x 2 Poles
- B** x 2 Rails
- C** x 2 Poles Top Cover
- D** x 2 Poles Bottom Cover
- E** x 4 Screw Cover
- F** x \$ Rails Locker
- G** x 4 Pipe Hole Cover L
- H** x 4 Pipe Hole Cover R
- I** x 2 Rails Cover L
- J** x 2 Rails Cover R
- K** x 1 Rails Connector
- L** x 4 Rails Connector Locker
- M** x 4 Anchor plugs
- N** x 4 Screws

